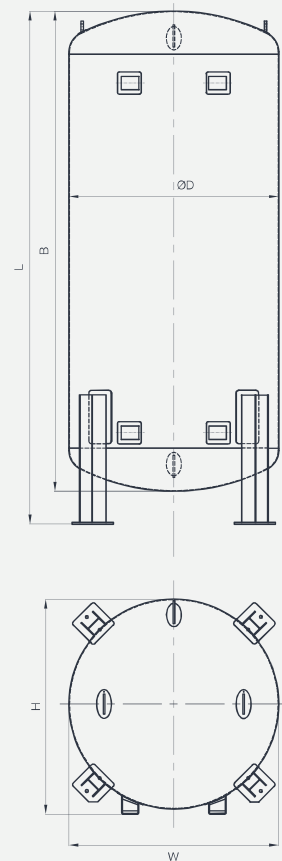


CRYOGENIC LNG TANKS STORAGE TANKS

DESIGN CODE	EN 13458 - PED 2014/68/EU
MAX. ALLOWABLE WORKING PRESSURE	5 bar
DESIGN TEMPERATURE	-196°C
INNER VESSEL MATERIAL	Stainless Steel (According to EN 10028-7)
OUTER VESSEL MATERIAL	Carbon Steel (According to EN 10025/ EN10028-3)
INSULATION	Perlite & Vacuum

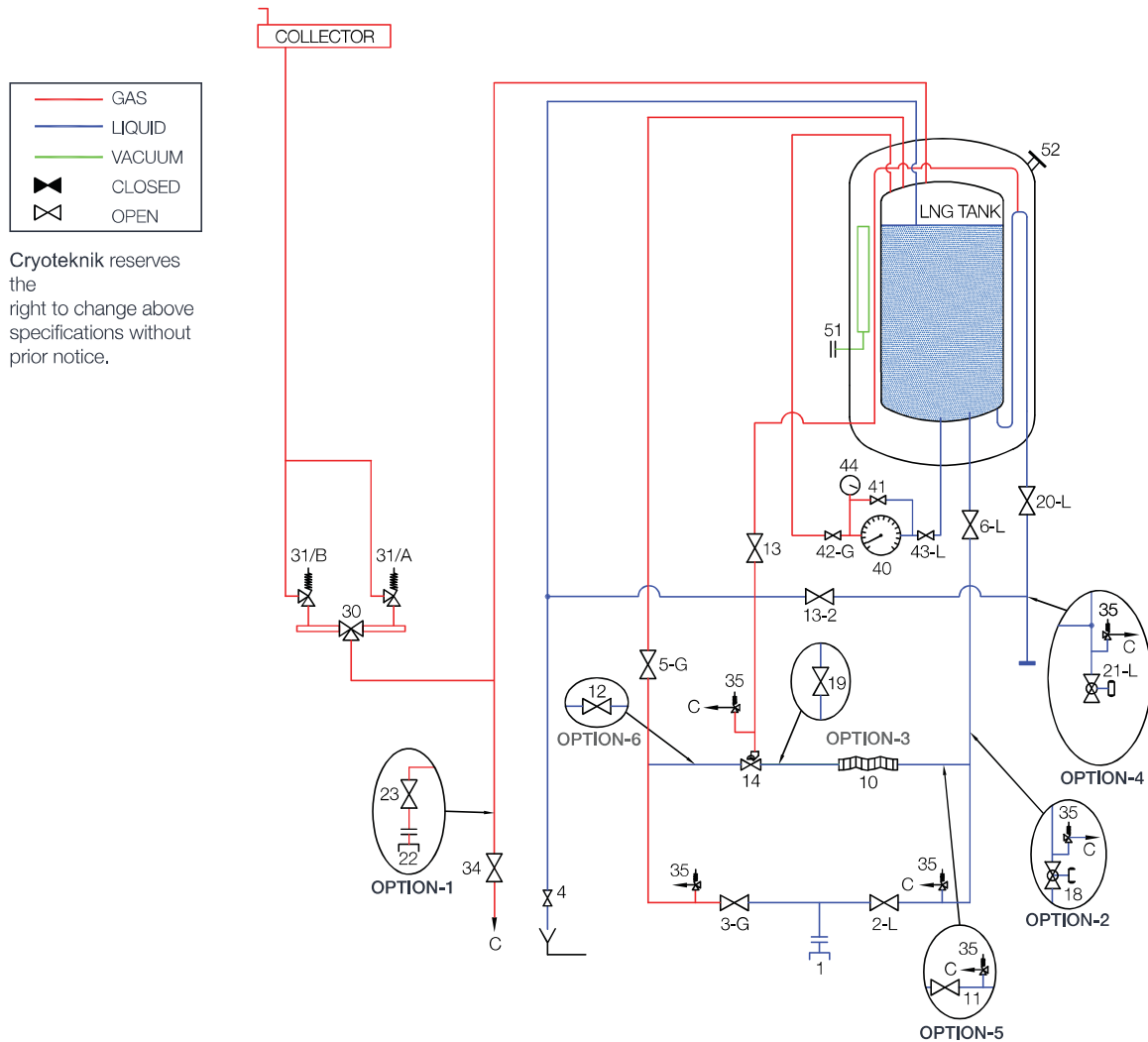
MAWP	Gross Capacity	Net Capacity (%95 Filling)	Daily Evap. Rate (N ₂)	ØD	B	L	W	H	Empty Weight
bar	liters	liters	% / day	mm	mm	mm	mm	mm	kg
5	6100	5795	0.27	2000	3820	4520	2200	2190	2700
	10000	9500	0.25	2000	5765	6300	2200	2190	3500
	16000	15200	0.22	2750	4620	5320	2950	3050	4700
	22000	20900	0.2	2750	6100	6800	3070	3050	6200
	32000	30400	0.15	2750	8330	9030	3070	3050	10000
	53000	50350	0.13	2750	13570	14270	3400	3050	14400
	60000	57000	0.11	3350	9900	10600	3920	2830	17000
	67000	63650	0.10	3350	10870	11570	3920	3120	19000
	95000	90250	0.10	3350	14650	15350	3350	3850	25000

Data given on the table are nominal volumes and actual capacity may vary from these due to manufacturing tolerances.



CRYOGENIC LNG TANKS STORAGE TANKS

LNG Storage Tanks P&ID



NOMENCLATURE

1	Fill connection	35	Thermal relief valve	Option-3 Line purging
2-L	Bottom fill valve	40	Level indicator	19 Purge valve
3-G	Top fill valve	41	Equalizer valve	Option-4 Emergency shut off system
4	Try cock valve	42-G	Low pressure shut off valve	21-L Emergency shut off valve
5-G	Top fill isolating valve	43-L	High pressure shut off valve	35 Thermal relief valve
6-L	Bottom fill isolating valve	44	Pressure indicator	Option-5 PBC Isolation valve
10	Pressure building coil	51	Evacuation connection	11 Liquid inlet valve for PBC
13	Economizer valve	52	Vacuum safety device	35 Thermal relief valve
13-2	Manual economizer valve	Option-1 Vapor equalizing line		Option-6 PBC Outlet valve
14	Combine valve (Filter, Regulator, Economizer, Non return valve)	22	Vapor equalizing connection	12 Liquid outlet valve for PBC
20-L	Liquid withdrawal valve	23	Vapor equalizing valve	
30	Change over valve	Option-2 Emergency shut off system		
31/A	Inner vessel safety valve	18	Emergency shut off valve	
31/B	Inner vessel safety valve	35	Thermal relief valve	
34	Vapor vent valve			